

Brown Davis Automotive Pty. Ltd.  
ABN: 72 657 573 544

Copyright Brown Davis Automotive Pty. Ltd. This document contains technical information the property of Brown Davis Automotive Pty. Ltd.

### TOYOTA HILUX 2005-PRESENT - ALL MODELS 4WD – 153lt REPLACEMENT TANK LONG RANGE FUEL TANK PARTS LIST AND FITTING INSTRUCTIONS PART NUMBER: TH05R3

Item #	Description	Quantity	Part No.	P	C
1	TANK—REPLACEMENT	1	TH05R3	-	-
2	DRAIN PLUG—MAGNETIC—M14 (FITTED TO THE TANK)	1	DP-M14	-	-
3	BRASS – ELBOW - 5/8" x 3/8" BSP	1			
4	CUSHION CLAMP 18mm	2			
5	CUSHION CLAMP 22mm	1			
6	6" CABLE TIE	2			
7	DISCRIMINATOR VALVE	1			
8	DISCRIMINATOR VALVE SEAL	1			
9	SET SCREW – PAN HEAD – M5 x 10mm – PLATED 8.8	8			
10	WASHER – SPRING PLATED – M5	8			
11	BOLT – HEX – M10 x 90mm – PLATED 8.8	1			
12	BOLT – HEX – M10 x 50mm – PLATED 8.8	2			
13	WASHER – PANEL PLATED – M10	6			
14	WASHER – PLATED M6	3			
15	NUT- NYLOC PLATED – M10	3			
16	NUT –NYLOC PLATED - M6	3			
17	SPACER BLOCK 5mm – SINGLE – 40 x 40mm	1	SP-05-040040		
18	TANK BRACKET - FRONT MOUNTING BRACKET	1	TB-TH05R3		
19	RETAINING RING	1	RR-80		
20	BROWN DAVIS AUTOMOTIVE STICKER	1			
21	OPERATION AND WARRENTY BOOKLET	1			



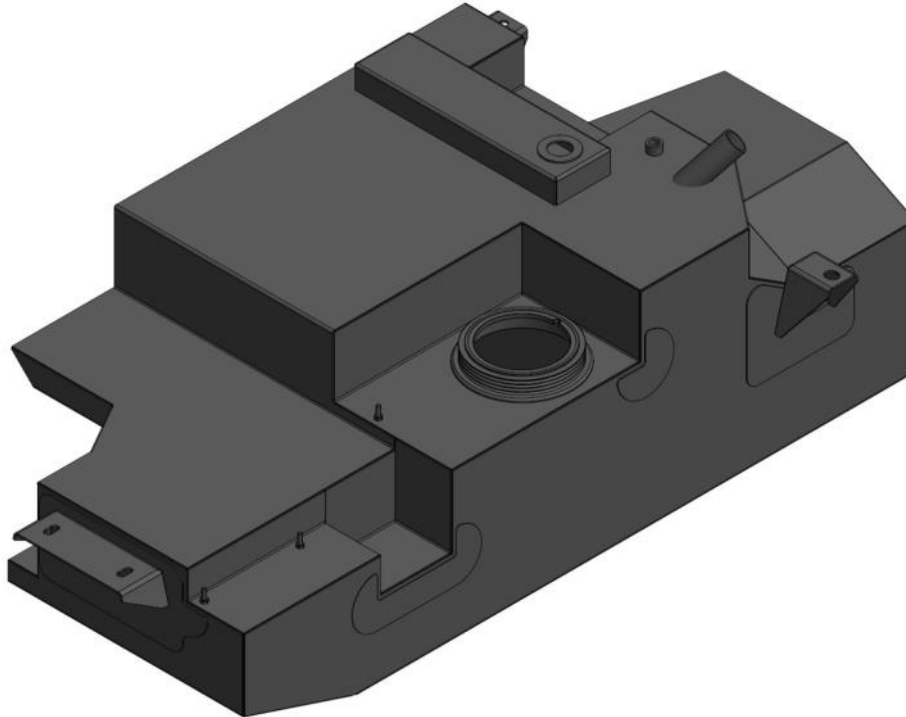
TB-TH05R3-1- REFER TO ITEM 18



	STAFF MEMBERS INITIALS	DATE
<b>KIT PACKED BY</b>		
<b>KIT CHECKED BY</b>		

Brown Davis Automotive Pty. Ltd.  
ABN: 72 657 573 544

Copyright Brown Davis Automotive Pty. Ltd. This document contains technical information the property of Brown Davis Automotive Pty. Ltd.

### TH05R3 – 153lt REPLACEMENT TANK LONG RANGE FUEL TANK PARTS LIST AND FITTING INSTRUCTIONS PART NUMBER: TH05R3



<p><b>WARNING:</b></p> <p><b>THIS FUEL TANK IS HEAVY. DO NOT ATTEMPT TO LIFT THIS FUEL TANK WITHOUT APPROPRIATE ASSISTANCE OR SERIOUS INJURY MAY RESULT</b></p>	
<p><b>WARNING:</b></p> <p><b>ENSURE A FIRE EXTINGUISHER IS AVAILABLE WHILST WORKING NEAR EXPOSED FUEL</b></p>	

**-CHECK CONTENTS OF KIT BEFORE COMMENCING FITMENT**

**-DRAIN VEHICLE FUEL TANK TO LOWEST LEVEL POSSIBLE BEFORE COMMENCING FITMENT**

**-BEFORE INSTALLATION THE BROWN DAVIS LONG RANGE TANK SHOULD BE WASHED OUT WITH THE SAME FUEL TYPE AS THE VEHICLE IT'S BEING FITTED TO**

**Any questions or information required in relation to the below instructions please do not hesitate to contact Brown Davis head office or one of our distributors.**

**Phone: +61 (3) 9762 8722**

**Email: [info@browndavis.com.au](mailto:info@browndavis.com.au)**

Brown Davis Automotive Pty. Ltd.  
ABN: 72 657 573 544

Copyright Brown Davis Automotive Pty. Ltd. This document contains technical information the property of Brown Davis Automotive Pty. Ltd.

1. Remove the spare tyre.



2. Disconnect the filler and fast fill hose from the car.



3. Mark tail shaft to rear differential flange to ensure refitting to original orientation.



4. Undo tail shaft at the rear, move the tail shaft to the side and secure it.



Brown Davis Automotive Pty. Ltd.  
ABN: 72 657 573 544

Copyright Brown Davis Automotive Pty. Ltd. This document contains technical information the property of Brown Davis Automotive Pty. Ltd.

5. Clamp fuel lines and remove fuel pick up and return line from the front of the standard tank.



6. Fit stand under the fuel tank. Remove fuel tank straps.



7. Lower the fuel tank slightly and remove fuel sender wiring harness.



8. Peel back self-adhesive cover to gain access to wiring harness.

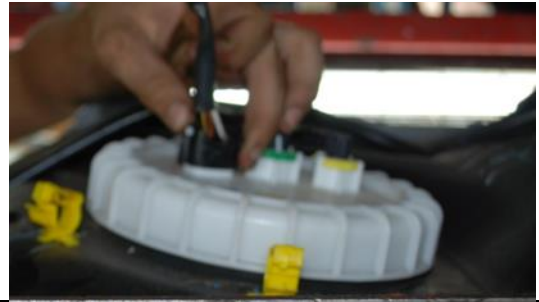




Brown Davis Automotive Pty. Ltd.  
ABN: 72 657 573 544

Copyright Brown Davis Automotive Pty. Ltd. This document contains technical information the property of Brown Davis Automotive Pty. Ltd.

9. Remove fuel sender connector.



10. Remove fuel tank.



11. Remove fuel sender unit. This requires a special tool. In the absence of the special tool, the sender outer ring can be undone using a hammer and a blunt piece of metal. Tap lightly on alternating sides of the ring changing ribs regularly to avoid breaking ribs

- FITTING TIP: Soak screw ring in boiling water for a couple of minutes and then screw it on the tank straight away



Brown Davis Automotive Pty. Ltd.  
ABN: 72 657 573 544

Copyright Brown Davis Automotive Pty. Ltd. This document contains technical information the property of Brown Davis Automotive Pty. Ltd.

12. Remove fuel sender unit.



13. Fit fuel sender unit to the new long range fuel tank using the supplied retaining ring and M5 hardware. Fit cushion clamps and route the fuel lines through the clamps.



14. Fit new discriminator valve and seal.



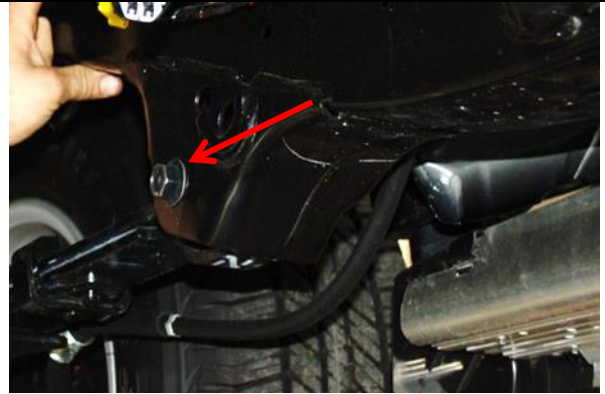
15. Fit brass elbow for fast fill line.



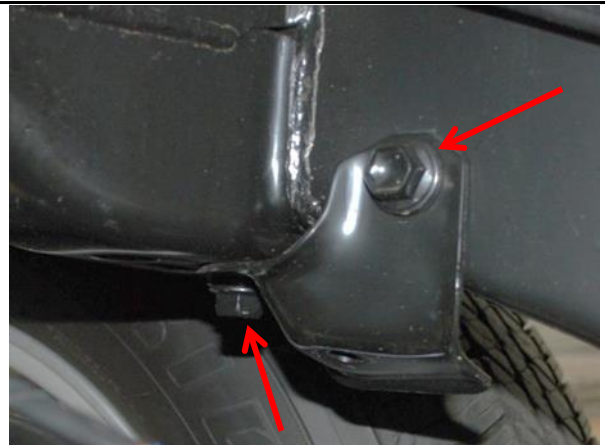
Brown Davis Automotive Pty. Ltd.  
ABN: 72 657 573 544

Copyright Brown Davis Automotive Pty. Ltd. This document contains technical information the property of Brown Davis Automotive Pty. Ltd.

16. Brown Davis suggests that the forward leaf spring mount bolt orientation be reversed so that the bolt head is on the outboard side of the mount. This allows the bolt to be removed more easily for servicing after the long range tank is fitted.



17. Undo rear tank strap mounting bracket. Discard the bracket, but retain the bolts



18. Remove and discard white clips that held the standard fuel lines.



19. Fit the Brown Davis long range fuel tank.  
Note:
- a. Fit fuel tank sender wiring before the tank is raised to its final position
  - b. Position fuel lines over the top of the front cross member





Brown Davis Automotive Pty. Ltd.  
ABN: 72 657 573 544

Copyright Brown Davis Automotive Pty. Ltd. This document contains technical information the property of Brown Davis Automotive Pty. Ltd.

20. Fit the bolt (removed at step 17) to the rear LH mount utilising the standard captive thread. Do not tighten



21. Fix the rear RH bracket through an existing hole in the rear cross member using the M10 x 90mm bolt (item #6), washers (item #5) & nylock nut (item #8). The square plate (Item #14) should be fitted on top of the cross member. Do not tighten



22. Fit bolts to front tank mount using supplied mounting brackets (item #15) above the cross member and M10 x 50mm bolts (item #7), washers (item #5) & nylock nuts (item #8). Do not tighten bolts



23. Gradually tighten each mounting bolt evenly in rotation.

23. Refit fuel lines at front of tank, fast fill vent tube and filler hose.



Brown Davis Automotive Pty. Ltd.  
ABN: 72 657 573 544

Copyright Brown Davis Automotive Pty. Ltd. This document contains technical information the property of Brown Davis Automotive Pty. Ltd.

24. Refit tail shaft making sure to align paint marks.  
Torque bolts to 80Nm



25. Double check all fuel line clamps and security of fuel lines. Fill tank and check for leaks. Road test and check for rattlers & squeaks. Re-check for fuel leaks.

