



Brown Davis Automotive Pty. Ltd.
ABN: 72 657 573 544

Copyright Brown Davis Automotive Pty. Ltd. This document contains technical information the property of Brown Davis Automotive Pty. Ltd.

**NISSAN GU & GQ PATROL LWB, SWB & COIL CAB UTE
148lt REPLACEMENT TANK
LONG RANGE FUEL TANK PARTS LIST AND FITTING INSTRUCTIONS
PART NUMBER: NPGUR1**

Item #	Description	Quantity	Part No.	P	C
1	TANK—REPLACEMENT	1	NPGUR1	-	-
2	DRAIN PLUG—MAGNETIC—M14 (FITTED TO THE TANK)	1	DP-M14	-	-
3	BRASS – ELBOW - 5/8" x 3/8" BSP	1			
4	BRASS – TAIL BARB - 1/4" x 1/4" BSP	1			
5	HOSE – TMP - 6mm	1.0m			
6	HOSE – FUEL AND EMISSION - 6mm	0.5m			
7	HOSE – FUEL AND EMISSION– 10mm	0.5m			
8	HOSE – FILLER - 44mm	60mm			
9	HOSE CLAMP – NORMA - 6-12mm	4			
10	HOSE CLAMP – STAINLESS - 8-16mm	2			
11	HOSE CLAMP – STAINLESS – 12-22mm	2			
12	HOSE CLAMP – STAINLESS – 32-50mm	2			
13	HOSE CLAMP – STAINLESS - 40-60mm	2			
14	FILLER NECK REDUCER – 38–44mm	1	FNR-038-044		
15	DISC MAGNET (fitted in swirl pot)	1			
16	BROWN DAVIS AUTOMOTIVE STICKER	1			
17	OPERATION AND WARRENTY BOOKLET	1			

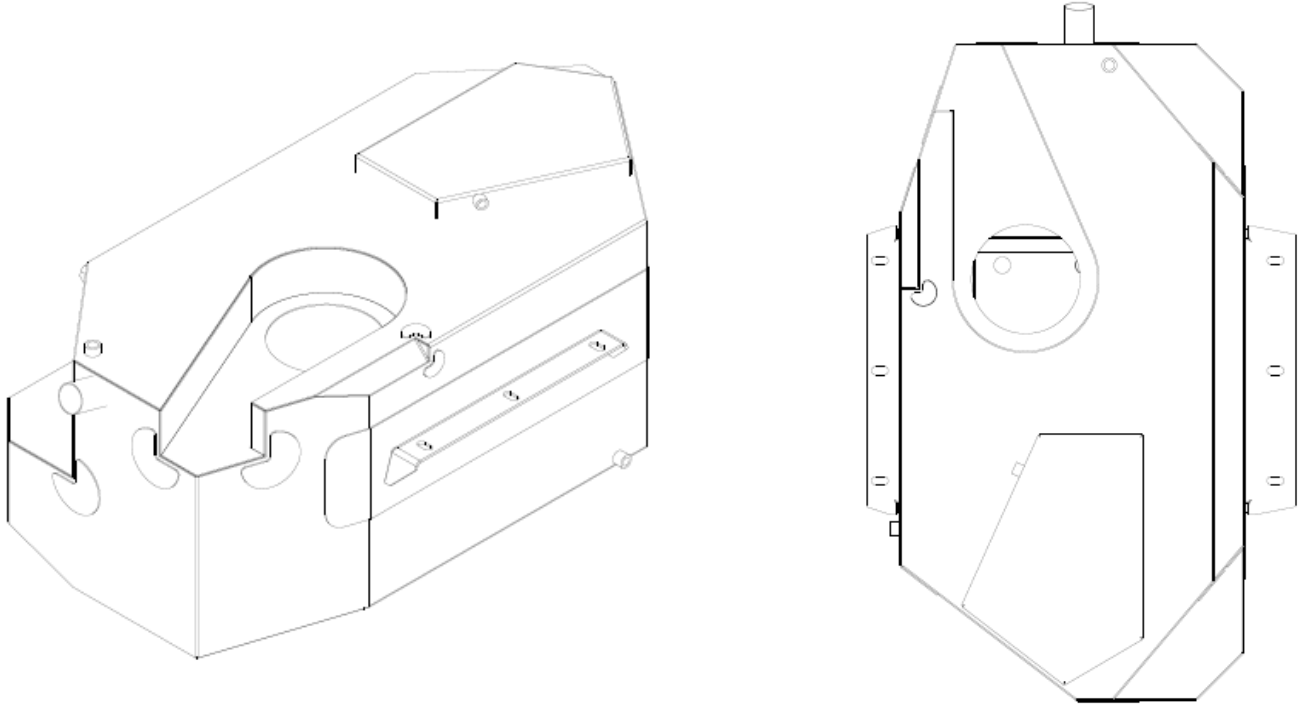
	STAFF MEMBERS INITIALS	DATE
KIT PACKED BY		
KIT CHECKED BY		

0
10
20
30
40
50
60
70
80
90
100
110
120
130
140
150
160
170
180
190
200
210
220
230
240
250
260
270

Brown Davis Automotive Pty. Ltd.
ABN: 72 657 573 544

Copyright Brown Davis Automotive Pty. Ltd. This document contains technical information the property of Brown Davis Automotive Pty. Ltd.

**PART NUMBER: NPGUR1
148lt REPLACEMENT TANK
LONG RANGE FUEL TANK PARTS LIST AND FITTING INSTRUCTIONS**



<p>WARNING:</p> <p>THIS FUEL TANK IS HEAVY. DO NOT ATTEMPT TO LIFT THIS FUEL TANK WITHOUT APPROPRIATE ASSISTANCE OR SERIOUS INJURY MAY RESULT</p>	
---	--

<p>WARNING:</p> <p>ENSURE A FIRE EXTINGUISHER IS AVAILABLE WHILST WORKING NEAR EXPOSED FUEL</p>	
---	--

-CHECK CONTENTS OF KIT BEFORE COMMENCING FITMENT

-DRAIN VEHICLE FUEL TANK TO LOWEST LEVEL POSSIBLE BEFORE COMMENCING FITMENT

-BEFORE INSTALLATION THE BROWN DAVIS LONG RANGE TANK SHOULD BE WASHED OUT WITH THE SAME FUEL TYPE AS THE VEHICLE IT'S BEING FITTED TO

Any questions or information required in relation to the below instructions please do not hesitate to contact Brown Davis head office or one of our distributors.

Phone: +61 (3) 9762 8722

Email: info@browndavis.com.au

Brown Davis Automotive Pty. Ltd.
ABN: 72 657 573 544

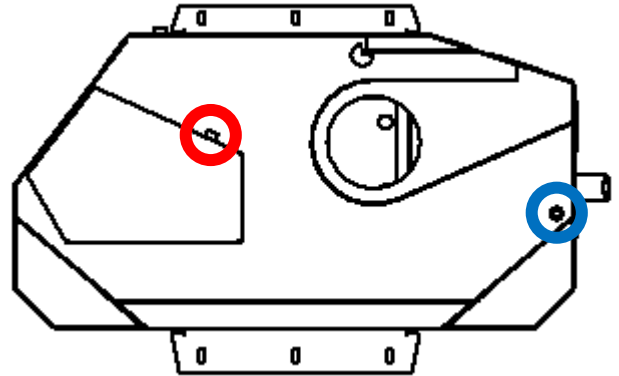
Copyright Brown Davis Automotive Pty. Ltd. This document contains technical information the property of Brown Davis Automotive Pty. Ltd.

REMOVAL STANDARD OF STANDARD TANK

- | | |
|--|--|
| <p>1. Remove the filler neck protective cover plate from under the right hand side rear wheel arch and disconnect the filler and fast fill breather hoses from the filler neck.</p> <ul style="list-style-type: none">• Do not remove these hoses at their tank end at this stage. | |
| <p>2. Disconnect the fuel pick up hose, return hose and the 6mm (pink) vent hose from the steel lines on the chassis near the driver's side front corner of the tank.</p> <ul style="list-style-type: none">• Do not disconnect these hoses from their respective tank fittings at this stage. | |
| <p>3. Remove the tank guard</p> <ul style="list-style-type: none">• Drain all the fuel from the tank• Lift up the carpet in the back, and remove the inspection plate to allow access to the fuel gauge sender wiring connections. <p>⇒ Unplug these wires and remove the tank.</p> | |

SETUP OF REPLACEMENT TANK

4. Fit brass fittings using Teflon tape or thread sealant into sockets.
- **BRASS – ELBOW - 5/8" x 3/8" BSP (circled in blue)**
 - **BRASS – TAIL BARB - 1/4" x 1/4" BSP (circled in red)**



5. Remove the sender/pump unit from the original tank with the hoses still connected.
- Refit the sender/pump unit into the new long range tank using the original screws and "o-ring".
 - Outlet pipes should be positioned to point to the right hand front corner of the tank as per the original tank fitment.
- * Note that sometimes the original "o-ring" may expand when first removed from the top of the original tank. 10 to 15 minutes left out in the sun will usually dry it, shrink it, back to size.

6. Discard the black 6.0mm hose running from the vent fitting on the old tank to the fuel check valve.
- Retain the pink hose used on the chassis rail steel fuel pipe end of the valve and using the 500mm length of hose supplied in the kit reconnect the valve to the expansion chamber vent fitting (**BRASS – TAIL BARB - 1/4" x 1/4" BSP**)

7. Transfer the filler and fast fill hoses to the new long range tank.
- Fast fill breather connects to the **BRASS – ELBOW - 5/8" x 3/8" BSP**

INSTALLATION OF REPLACEMENT TANK	
<p>8. Lift the tank into position at an angle to allow the filler and fast fill hoses to be fed over the chassis on the driver's side. Secure the tank up into position using the original bolts.</p> <p>* Remember to reconnect the wiring to the sender/pump as the tank is lifted into position. (The floor inspection plate opening is often helpful with the wiring reconnection).</p>	
<p>9. Connect all hoses to their original positions.</p> <p>* NOTE: It will be necessary to trim the filler and fast fill hoses before reconnecting to suit the new tank positioning. Refit the cover plate over the filler area under the right hand side rear wheel-arch.</p> <p>⇒ WARNING: Incorrect connection of the fuel hoses in the RB30/EFI pump/sender case could cause damage to the pump.</p>	
<p>9. Double check all fuel line clamps and security of fuel lines. Fill tank and check for leaks. Road test and check for rattlers & squeaks. Re-check for fuel leaks.</p> <p>• On some diesel vehicles it is necessary to bleed the fuel system after such a tank installation (refer manufacturers handbook). Confirm the fuel gauge is reading and replace the fuel cap.</p>	