

Item #	Description	Quantity	Part No.	P	C
1	FUEL FILTER - ASSEMBLY	1	42093		
2	FUEL FILTER MOUNTING BRACKET	1	FF-TL200-B		
3	HOSE - FUEL AND EMISSION - 12mm	700mm			
4	HOSE CLAMP - STAINLESS - 12-22mm	2			
5	BRASS - TAILBARB - ½" x ¼" BSP	2			
6	BRASS - PLUG - HEX INTERNAL SOCKET - ¼" BSP	2	06404		
7	SET SCREW - HEX - M8 x 30mm	2			
8	WASHER - FLAT - M8	4			
9	NUT - NYLOC - M8	2			
10	300mm CABLE TIE	1			
11	OPERATION AND WARRANTY INFORMATION	1			
12	BROWN DAVIS AUTOMOTIVE STICKER	1			

	STAFF INIT	DATE
KIT PACKED BY		
KIT CHECKED BY		

## Taking people around Australia since 1978



DATE LAST EDITED: 12/12/2016

Brown Davis Automotive Pty. Ltd.

47 Holloway Drive, Bayswater, Victoria, Australia 3153

Ph: +61 (3) 9762 8722 | Fax: +61 (3) 9762 9829 | Email: info@browndavis.com.au | Web: www.browndavis.com.au

**READ BEFORE COMMENCING FITMENT OF FUEL FILTER SYSTEM**

- Check contents of the kit before commencing fitment.
- Brown Davis recommends having the fuel system disconnected for as minimal time as possible as some newer vehicles have fuel senses which if left with no fuel for a period of time will prevent the vehicle to start.
- See vehicles owners manual on details on how to bleed the fuel system once fuel filter is installed.

Any questions or information required in relation to the following instructions please do not hesitate to contact Brown Davis head office or one of our distributors.

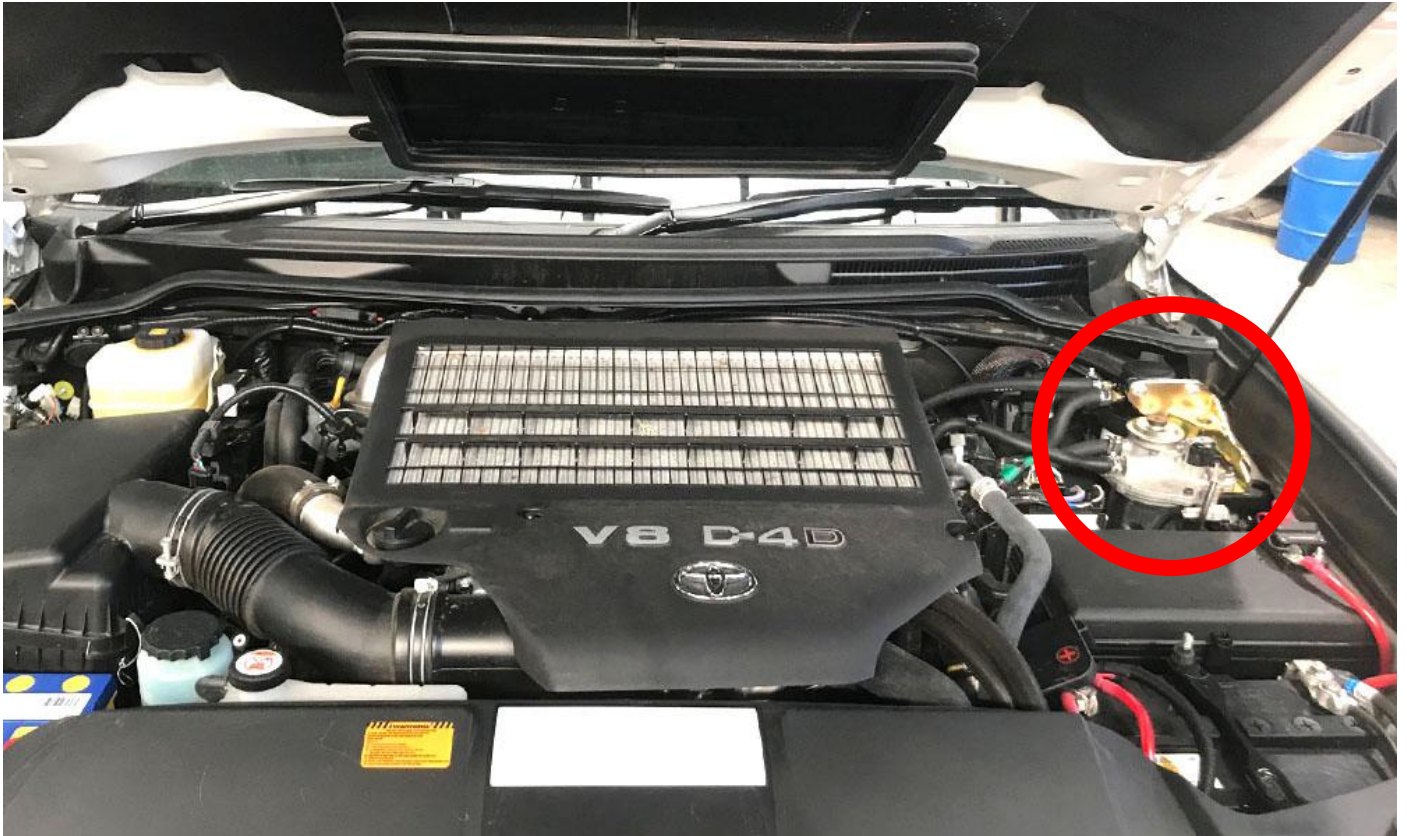
**Phone:** +61 (3) 9762 8722

**Email:** [info@browndavis.com.au](mailto:info@browndavis.com.au)

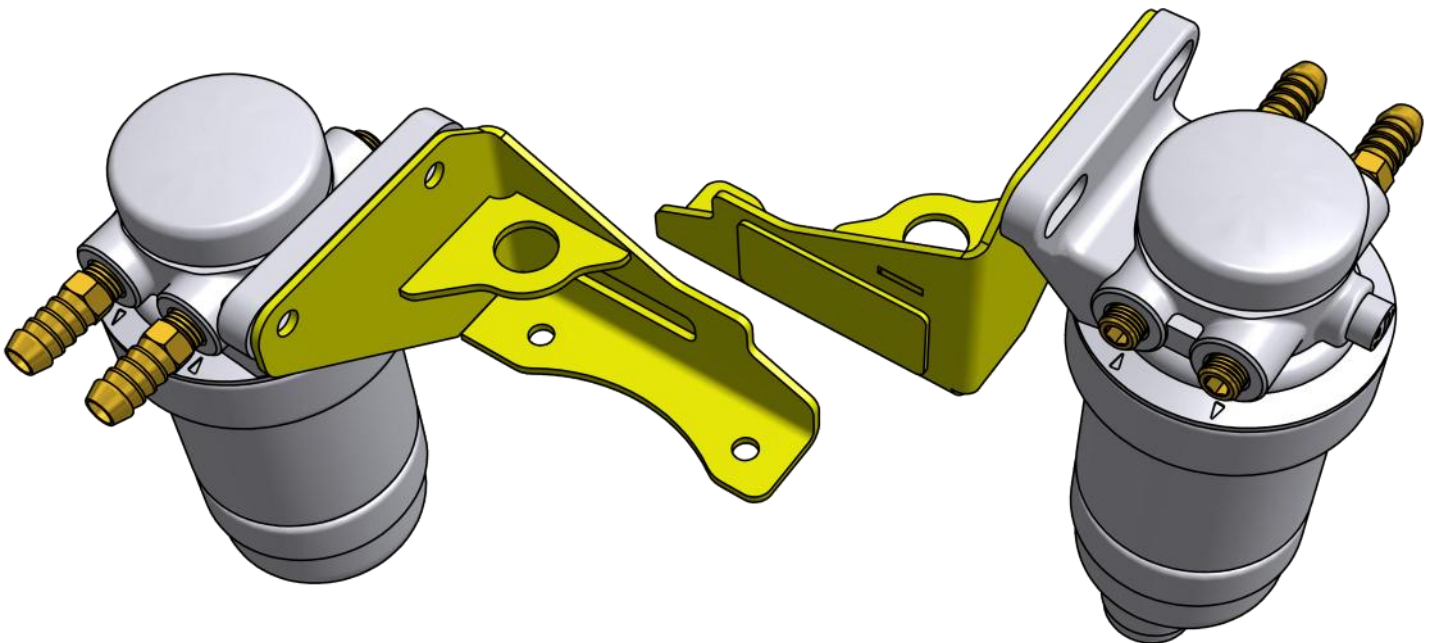
**WARNING:**

**ENSURE A FIRE EXTINGUISHER IS AVAILABLE WHILST WORKING  
NEAR EXPOSED FUEL**

### FUEL FILTER LOCATION



### FUEL FILTER KIT



This FF-TL200-B mounting bracket will locate the fuel filter at the rear passenger side of the engine bay.



Unscrew the nuts securing the factory fuel filter in place. Lift as shown, and thread the Brown Davis (BD) bracket over the captive bolts, then return the factory fuel filter over the top.



Use the socket hole to secure the sandwiched assembly back in place with the factory nuts.



Prepare the fuel filter for installation.

Use thread sealant or Teflon tape to secure the brass hex plugs & tail barbs in place, then tighten securely.

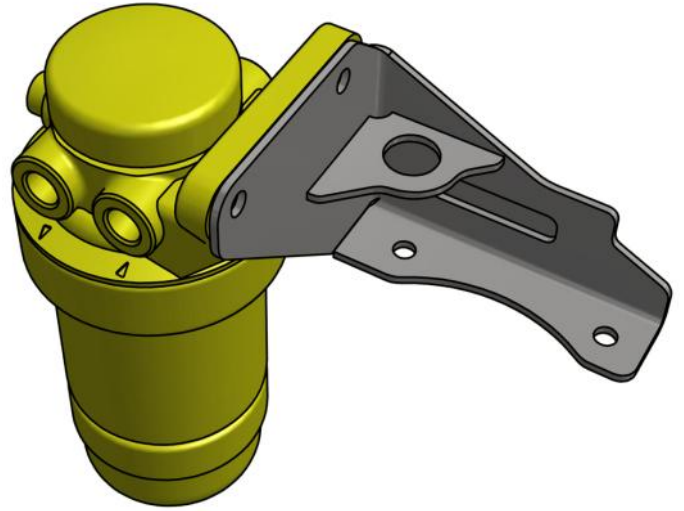


Ensure the brass fittings are arranged as pictured here.



Use the supplied M8 hardware to fit the filter to the Brown Davis bracket in the orientation illustrated.

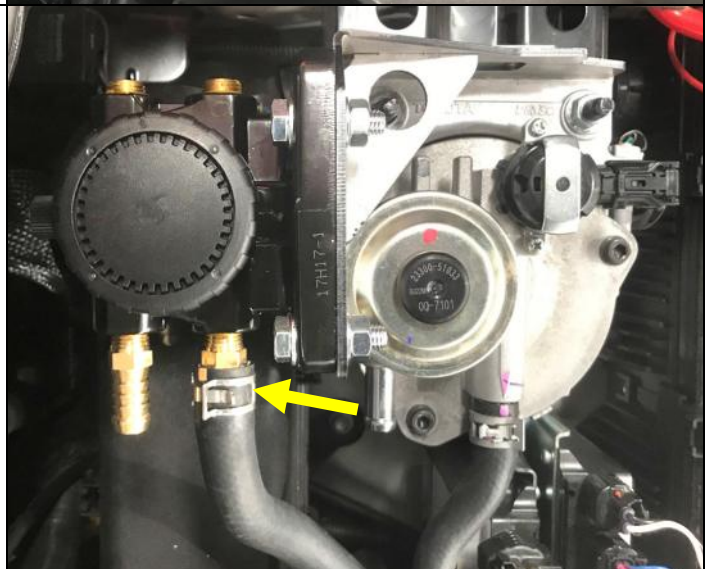
Make sure the new filter is clear of obstructions in the engine bay before fastening.



Loosen this hose clamp and remove the hose...



...then refasten hose to the new filter inlet as shown.



Now use the supplied 700mm hose & hose clamps to connect the fuel filters as pictured.



A generous length of hose is provided to help prevent the hose kinking. Ensure the hose path flows freely.



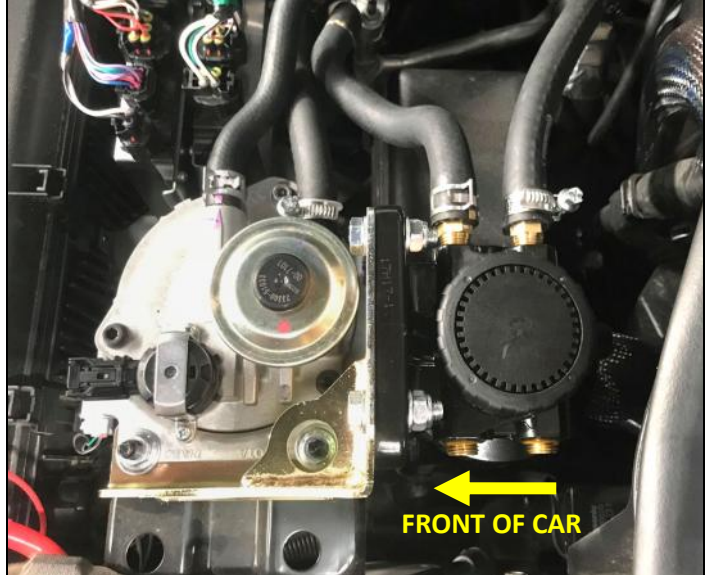
Cable tie the new hose in place to prevent movement.



Ensure all hoses & fasteners are tightened correctly.



Top view



Refer to the vehicles operating manual for directions on how to bleed the fuel system before use.

