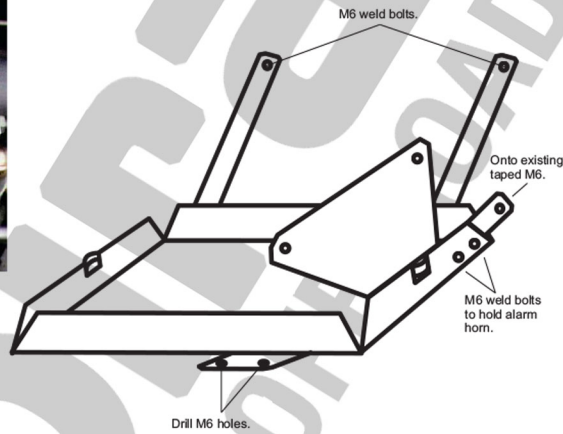


'Piranha Off Road products are not associated in any way with JAGUAR LAND ROVER Ltd or any of its related companies'

To Suit DISCOVERY TD5 5 CYLINDER DIESEL



PART NUMBER	BTTD5
APPROX FITTING TIME	1.5 Hours
MAX BATTERY SIZE	235mm Long
RECOMMENDED TYPE	Cycle Duty
TRAY LOCATION	PSR



PARTS INCLUDED WITH TRAY

- 1 X Tray
- 3 X M6 Bolts
- 6 X M6 Nuts
- 2 X Body Washers
- 4 X Weld Bolts
- 1 X Special Top Mount
- 2 X J Bolts

RECOMMENDED ISOLATOR

DBE140SF
or
DBE180-SX

FITTING INSTRUCTIONS

The cradle fits passenger side rear.

Alarm horn remounts onto tray. Isolator mounts on bracket on tray. Sit tray in position sliding long arm up under insulation behind pipes. These arms line up with existing holes (diesel only) use weld bolts. On the V8 these holes must be drilled. Short bracket bolts on to where horn was. Two M6 holes are drilled for front bracket. Use body washers. Top mount supplied.

We recommend using a heat shield to extend battery life **NOT SUPPLIED**

Ensure, Before closing the bonnet that all items fitted have adequate clearance