

# PIRANHA OFFROAD PRODUCTS

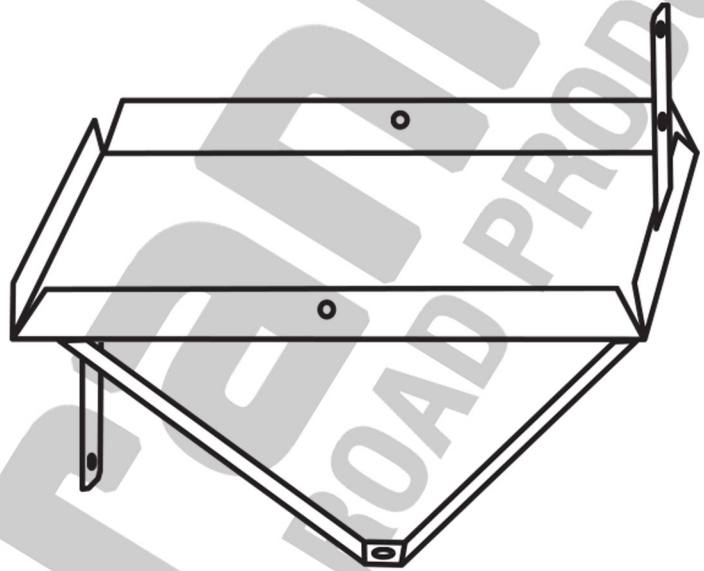
BTMTDI

'Piranha Off Road products are not associated in any way with FORD Motor Co of Aust Ltd or any of its related companies'  
'Piranha Off Road products are not associated in any way with MAZDA Australia Pty Ltd or any of its related companies'

## To Suit 1999 MAZDA BRAVO / FORD COURIER 4 CYL TDI



PART NUMBER
BTMTDI
APPROX FITTING TIME
1 Hour
MAX BATTERY SIZE
265mm Long
RECOMMENDED TYPE
Cycle Duty
TRAY LOCATION
PSF



### PARTS INCLUDED WITH TRAY

- 4 X M6 Bolts
- 1 X M6 Nut
- 1 X Body Washer
- 1 X M8 Bolt Short
- 2 X J Bolts
- 1 X Special Top Mount

### RECOMMENDED ISOLATOR

**DBE140SF**  
or  
**DBE180-SX**

## FITTING INSTRUCTIONS

**The cradle fits passenger side front.**

Nothing to relocate, top mount supplied.

**Ensure, Before closing the bonnet that all items fitted have adequate clearance**