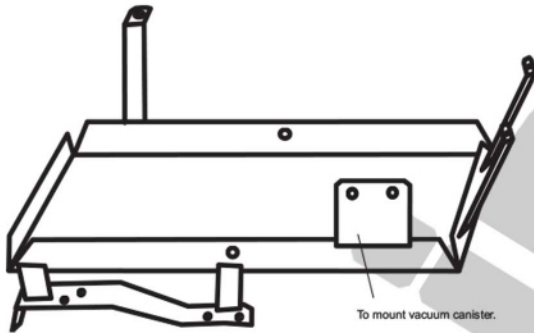


'Piranha Off Road products are not associated in any way with Nissan Motor Co. (Australia) Pty Ltd or any of its related companies'

## To Suit NISSAN PATROL GU TB45E 4.5 EFI PETROL (Non ABS)



PART NUMBER	BTGUP
APPROX FITTING TIME	1.5 Hours
MAX BATTERY SIZE	300mm Long
RECOMMENDED TYPE	Cycle Duty
TRAY LOCATION	PSR



### FITTING INSTRUCTIONS

The cradle fits passenger side rear.

Several pipes need relocating and work should be carried out by a qualified workshop.

1. Remove vacuum canister & pipes from original mounting plate
2. Remove mounting plate from vehicle
3. Remove earth & plastic mount for pipes from inner guard (shocker tower)
4. Modify vacuum pipes & breather pipes to allow tray to fit into position
5. Place tray into position & bolt into position (ensuring a minimum of 3 bolts in mounting cradle over shock tower and that the earth is bolted back down with tray)
6. Drill any holes needed (i.e lip on firewall) to mount tray
7. Extend vacuum line around battery tray & screw cannister to mounting plate on side of tray
8. Remove screw from wiring mount & re-route wiring so that it does not fowl on battery

**MAKE SURE 1 WAY VALVE IN VACUUM CANNISTER HOSE IS RETAINED & IN CORRECT DIRECTION**

**NOTE: Can not be fitted to vehicle with ABS.**

**NOTE: Tray is designed with a slight slope towards motor to aid clearance to bonnet. Ensure before closing the bonnet that all items fitted have adequate clearance.**

#### PARTS INCLUDED WITH TRAY

- 4 X M6 Bolt
- 1 X M6 Nut
- 1 X Body Washer
- 2 X M8 Bolt Long
- 1 X M8 Nut
- 2 X J Bolts
- 1 X Universal Top Mount

#### RECOMMENDED ISOLATOR

**DBE140S  
or  
DBE180-SX**